

**EXC-B60ABL LED Sill Light**



Application Environment:  
Indoor  
Outdoor

**Description:**

**EXC-T60ABL LED Sill Light** are a single color LED light with extruded aluminum alloy housing, which are designed for window lighting by EXC-T60ABL LED. With Unique appearance design, mainly used for Special area lighting light window, lighting up the whole window, to create special lighting effect.

**Features**

- Bionic design, vivid and interesting
- It has a variety of dynamic models, including the creeping mode of window corners, the straight-line mode in windows and the climbing mode of window corners, to create a lively and happy scene
- The arched shape can well shield the dazzling light.
- Low thermal resistance path cooling design.

**Basic Specifications**

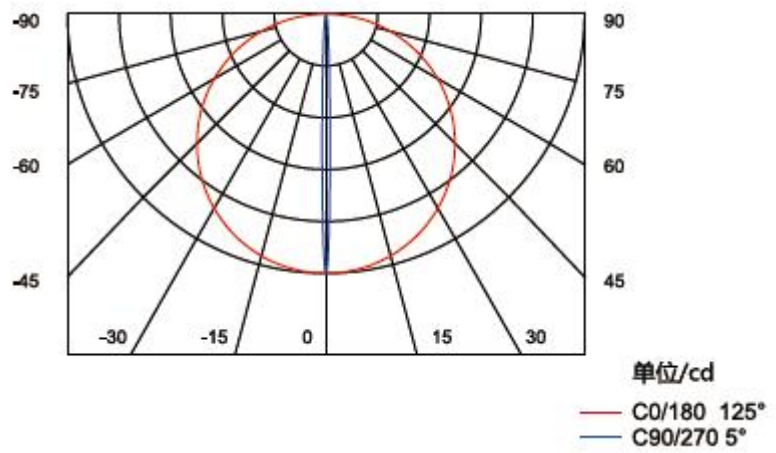
Color Range	W(2700K-6500K)
Working Voltage	DC 24V
Max. Power Consumption	18W
Light Source	4 PCS High Power LEDs
LED chip Brand	Optional(Cree, OSRAM, Lumileds, Epistar, etc...)
CRI	80
Control	DMX512
Source Life	50,000 h
Housing	High Strength Aluminum
Cover	Tempered glass
Weight	1.2Kg
Dimensions	299mm x 60mm x 117mm (L x W x H, exclude Mounting Bracket)
Installation	Installation with screws
Working Temperature	-40°C to 60°C
Storage Temperature	-40°C to 70°C

Protection Rating	IP66
Luminous Flux	20LM/W
Beam Angle	5*125°

Host Controller	EXC-5200
Slave Controller	EXC-2905T1
Signal Cable	EXC-LED outdoor special cable

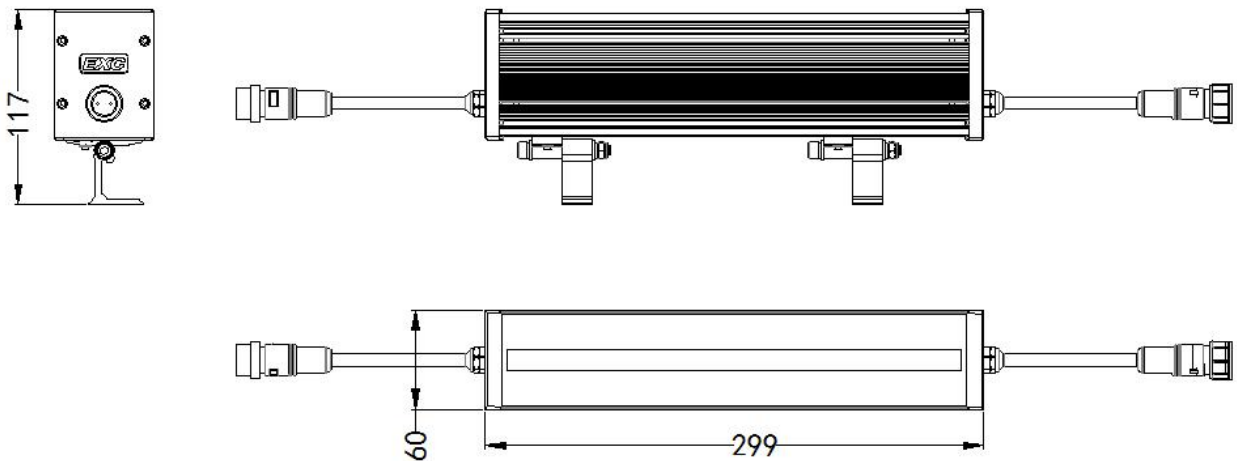
### Light Intensity Distribution

Light Intensity Chart



### Physical Dimension

Unit: mm

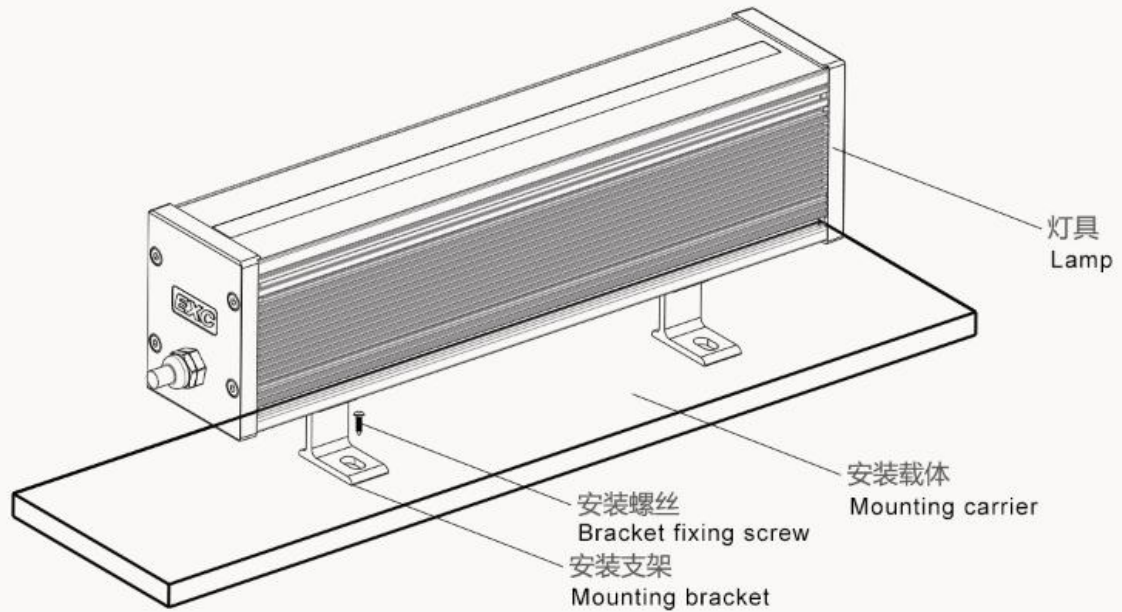


### Installation Diagram

选用M6膨胀螺丝、按如图方式将安装座固定到需求位置，具体间距按灯具长度要求。

Use M6 expansion screws to fix the mounting seat to the required position as shown in the figure.

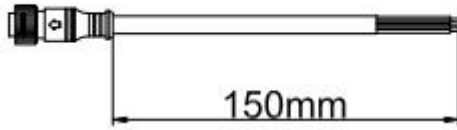
The specific spacing shall be based on the length of lights.



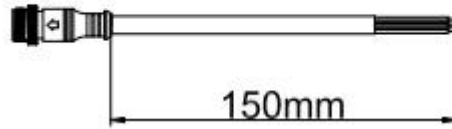
**Accessories :**

**1: Female and Male Connector( Connect to first dot light for signal transmission)**

Female Connector

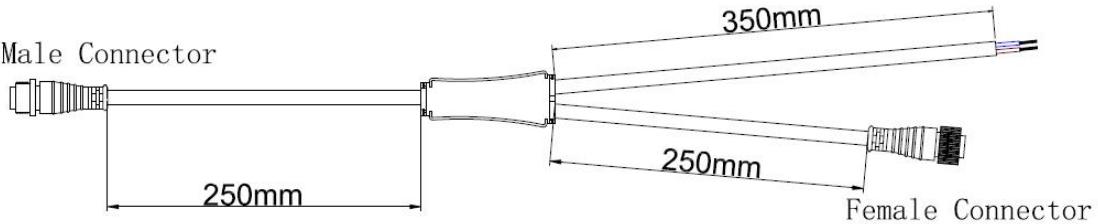


Male Connector



**2: Y Shape Connector(For power Distribution)**

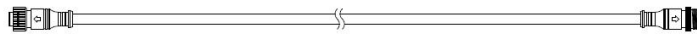
Male Connector



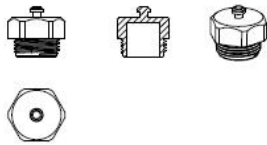
**3: Interconnection Cable(1.3M,3M,5M is standard length)**

Female Connector

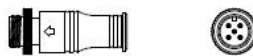
Male Connector



**4: End Cap**



Male Connector



Male Connector