

EXC-B50ABL LED Flood Light



Application Environment:
Indoor
Outdoor

Description

EXC-B50ABL series consists of full-color small-power spotlights with high-strength aluminum-alloy housing specially designed by EXC for outdoor landscape lighting. The product uses CREE lamp beads. Each light is a separate lighting pixel, and each pixel can realize 65536 grades gray scale changing. It could be used for illumination in specific areas or landscape wash lighting, applicable on building facades, bridges, stages, etc.

Features

- High reliability, modular design
- High strength aluminum and low thermal resistance path cooling design
- High reliability modularization design
- Outdoor lighting protection and electrostatic discharge (ESD) protection design
- Load safety design
- Projection distance: 1m

Basic Specifications

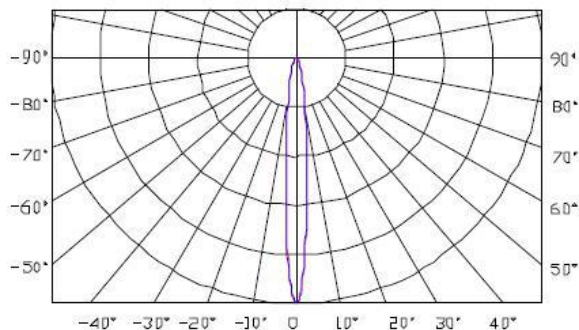
| | |
|------------------------|--|
| Color Range | W |
| Working Voltage | DC 24V |
| Max. Power Consumption | 3W |
| Light Source | 1 PCS High Power LEDs |
| LED chip Brand | Optional(Cree, OSRAM, Lumileds, Epistar, etc...) |
| CRI | 80 |
| Control | ON/OFF |
| Source Life | 50,000 h |
| Housing | High Strength Aluminum |
| Cover | Tempered glass |
| Weight | 0.4Kg |
| Dimensions | 67mm x 54mm x 77mm (L x W x H, exclude Mounting Bracket) |
| Installation | Mounting seat |

| | |
|---------------------|---|
| Working Temperature | -40°C to 60°C |
| Storage Temperature | -40°C to 70°C |
| Protection Rating | IP66 |
| Efficiency flux | ≥60LM/W(White), ≥40LM/W(RGBW), ≥30LM/W(RGB) |
| Beam Angle | 10°, 80°, and other angles optional |

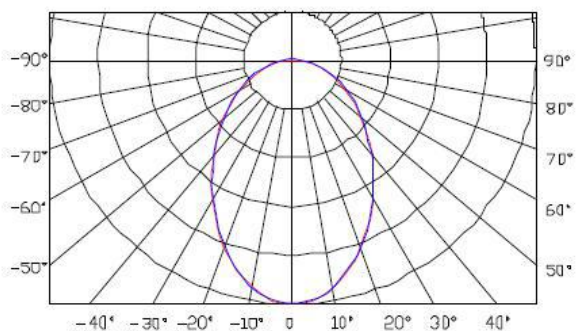
| | |
|------------------|-------------------------------|
| Host Controller | EXC-5200 |
| Slave Controller | EXC-2905T1 |
| Signal Cable | EXC-LED outdoor special cable |

Light Intensity Distribution

**10°
Light Intensity Chart**

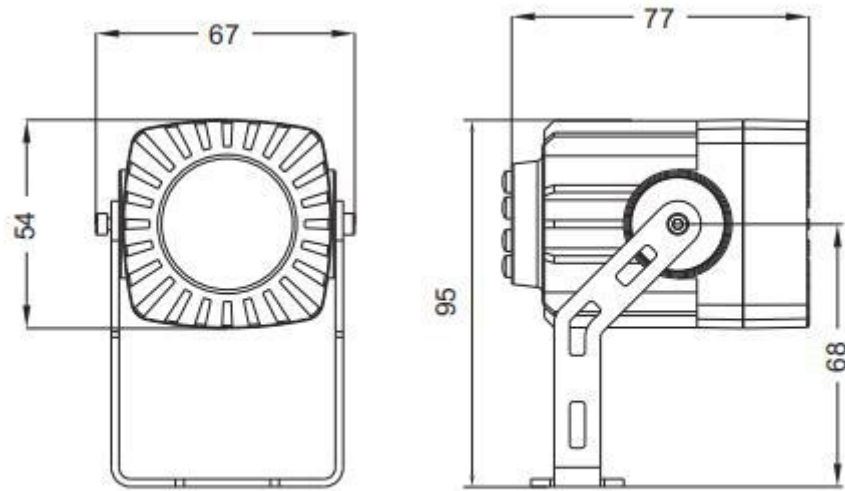


**80°
Light Intensity Chart**

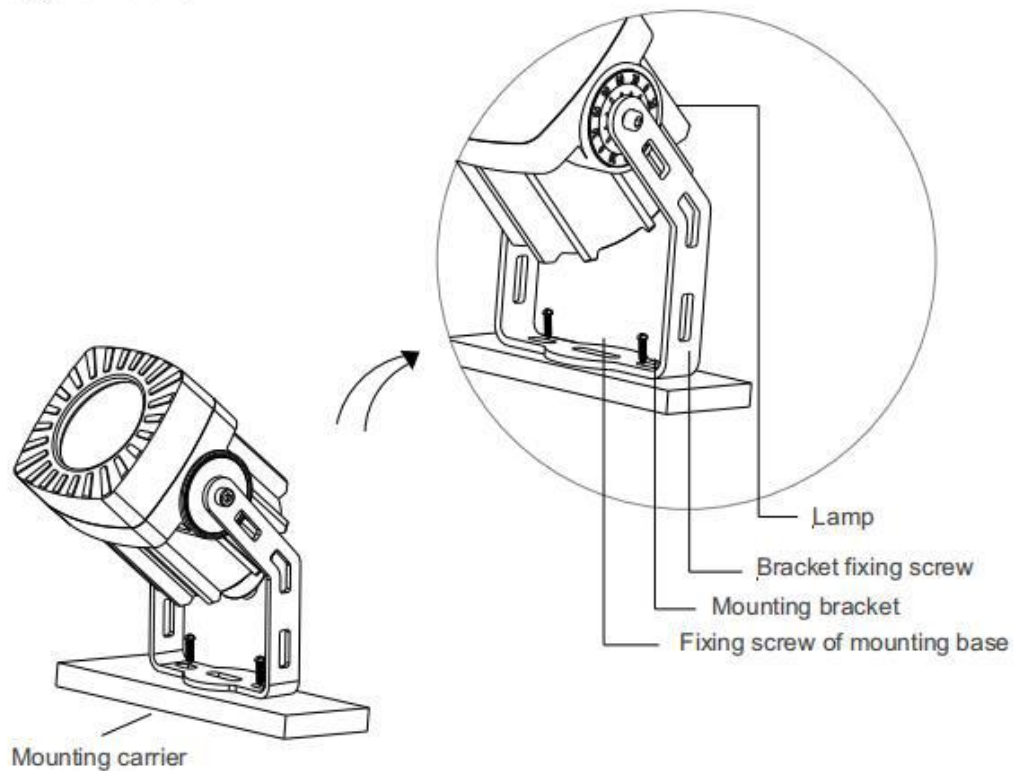


Physical Dimension

Unit: mm

**Installation Diagram**

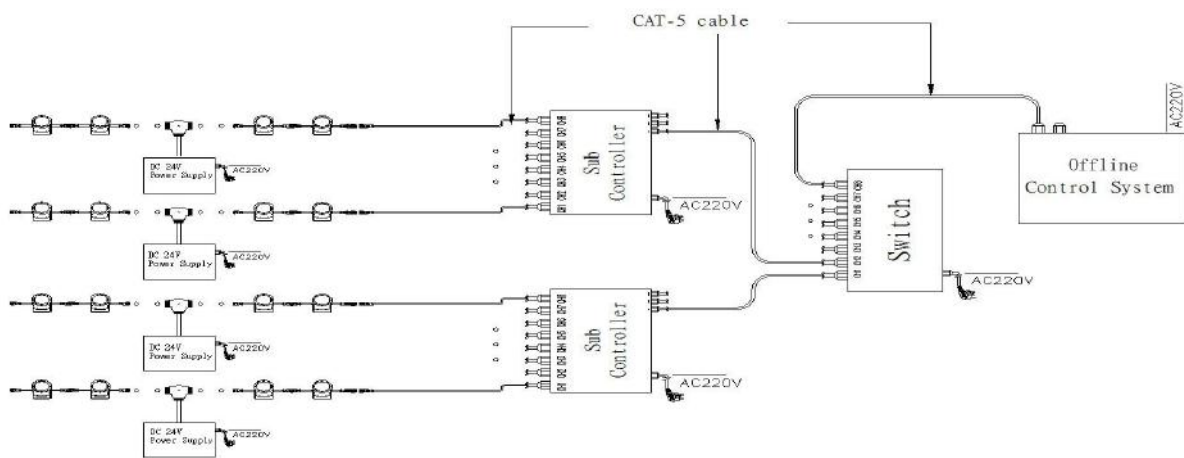
Place the lamp on the carrier to be preinstalled on and confirm the lamp spacing requirements. Lock the bracket fixing screws on the carrier as shown in the figure and lock the mounting seat fixing screws. Secure screws and adjust the angle of the lamp.



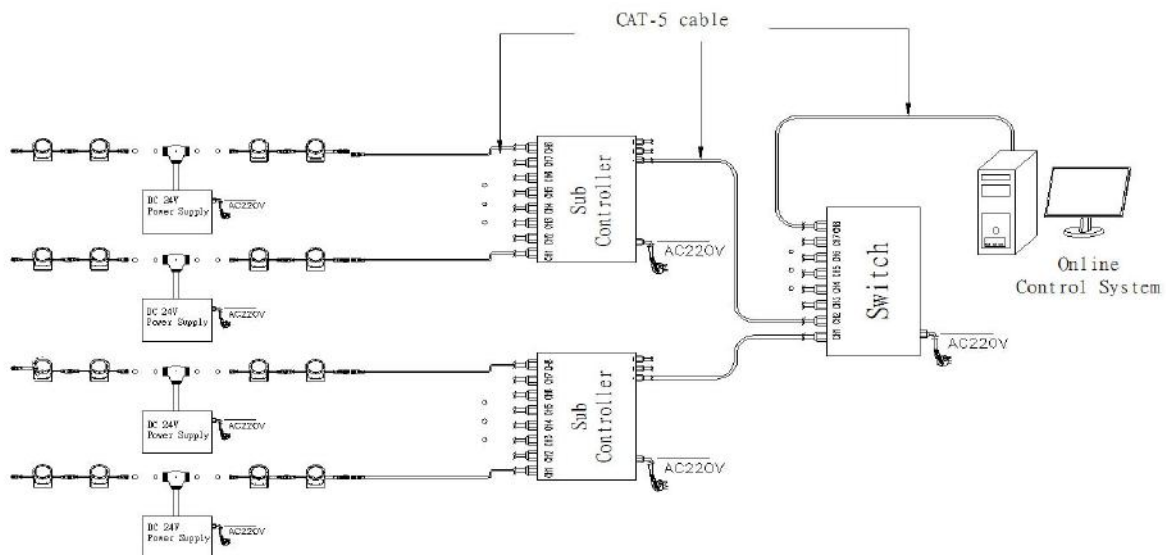
System connection diagram:

- 1、 Host controller should connect with slave controller. Working voltage for controllers are AC220V.
- 2、 On-line main controller should connect with slave controller, on-line main controller and sub controller working voltage are AC220V.
- 3、 each sub-controller with 8 ports, with each port 512 pixels, supporting data converter, supports 100 meters ultra-long haul transmission.
- 4、 The CAT-5 e. cable distance should be within 100 meters between host controller and slave controller, between slave controllers and switch, etc.

Offline Controlling System Diagram



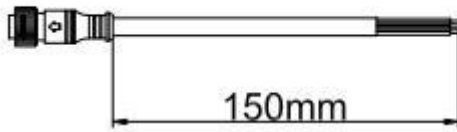
Online Controlling System Diagram



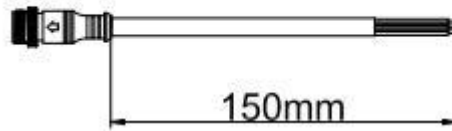
Accessories :

1: Female and Male Connector(Connect to first dot light for signal transmission)

Female Connector

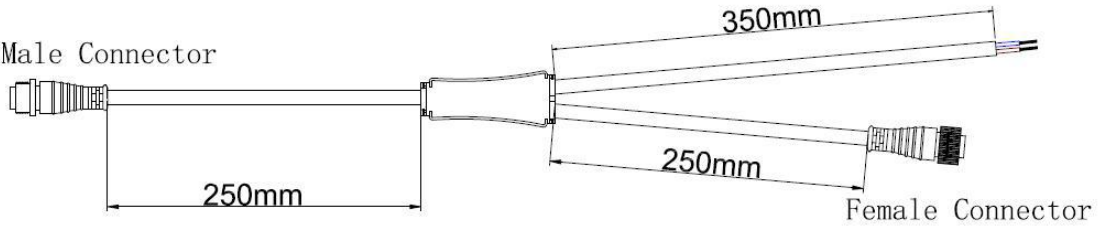


Male Connector



2: Y Shape Connector(For power Distribution)

Male Connector



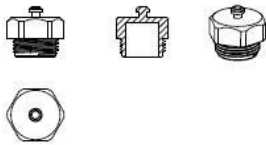
3: Interconnection Cable(1.3M,3M,5M is standard length)

Female Connector

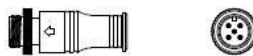
Male Connector



4: End Cap



Male Connector



Male Connector